

# LC2150-BN-D

## 1.3MP HD Network IR Bullet Camera

# KEDACOM



### Features

#### Excellent Image Quality

- 1.3 Megapixel 1/3" progressive scan CMOS Sensor
- High definition and smooth picture, 960p@30fps
- Low illumination, 0.01lux with color picture
- WDR / 3D noise reduction

#### Integrated High Efficiency IR

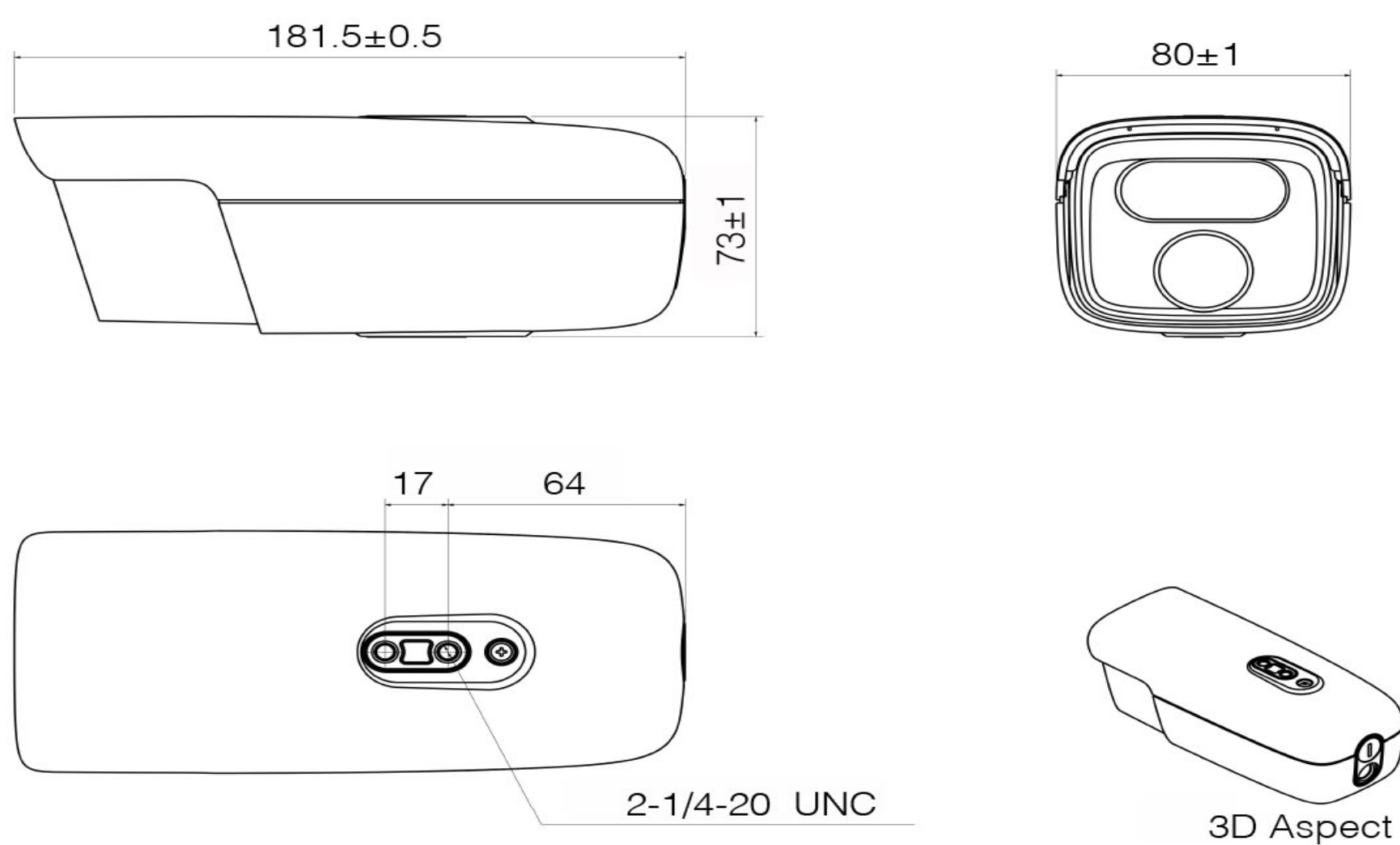
- Industrial IR LED with long operational lifespan
- 30 ~ 50m IR distance
- Smart IR function

#### Abundant Functions and Features

- Dual-stream (960p+D1)
- IP66

### Dimensions

Units: mm



### Specifications

Model	LC2150-BN -D(IR2, IR3, IR4, IR5, IR6)
<b>Camera</b>	
Image Sensor	1/3" progressive scan CMOS
Pixels	1.3 Megapixel
Min. Illumination	Color: 0.01lux @ (F1.6, AGC ON) B/W: 0lux with IR
Shutter Speed	1/10 ~ 1/10,000s
Day / Night	Auto (ICR) / Color / B/W
Wide Dynamic Range	Digital WDR
S/N Ratio	>50dB
White Balance	Auto / Manual
Gain Control	Auto / Manual
Backlight Compensation	Off / BLC / WDR
<b>Lens</b>	
Mount Type	M12
Focal Length	3.6mm (IR2) / 6mm (IR3) / 8mm (IR4) / 12mm (IR5) / 16mm (IR6)
Angle of View	76.2° (IR2) / 46.3° (IR3) / 35.6° (IR4) / 22.8° (IR5) / 16.9° (IR6)
<b>Infrared</b>	
IR LED	1 pc IR LED (IR2, IR3, IR4) 2 pcs IR LED (IR5, IR6)
IR Distance	30m (IR2, IR3, IR4) 50m (IR5, IR6)
IR Intensity	Smart IR
<b>Video</b>	
Compression	H.264
Image Resolution	Main stream: 960p Secondary stream: D1
Frame Rate	Main stream: 960p@30fps Secondary stream: D1@30fps
Bitrate	64kbps ~ 8Mbps
Bitrate Control	VBR / CBR
Dual-stream	Supported
Caption	Date and time / Alarm / Customized
Privacy Masking	Up to 4 zones
Motion Detection	Up to 4 zones
Video Freeze	Supported
Digital Noise Reduction	3D noise reduction
Image Flip	Flip / Mirror
<b>Network</b>	
Network Protocols	TCP/IP, UDP, HTTP, DHCP, DNS/DDNS, RTP/RTCP, RTSP, PPPoE, FTP, VSIP, UPnP, 802.1x, IPv4, IPv6 (optional)
User Interface	IPC Control (IE, Firefox, Chrome)
Max. User Access	10 Users (includes 2 internal access)
Application Programming	ONVIF (Profile S), GB/T 28181-2011, API, CGI
<b>Alarm</b>	
Alarm Triggers	Motion detection
Alarm Events	Alarm caption / Snapshot
<b>Interfaces</b>	
Ethernet	10/100M, RJ45 interface
<b>Environmental</b>	
Operating Temperature	-30°C ~ 60°C / -22°F ~ 140°F
Operating Humidity	10% ~ 95%
Protection Level	IP66
<b>Electrical</b>	
Power	12V DC ± 10%
Power Consumption	Max. 11W
<b>Mechanical</b>	
Weight	1kg / 2.2lb (Gross Weight)
Dimensions	181.5 x 80 x 73mm / 7.15" x 3.15" x 2.87"