

# IPC2151-AN&BN-D

# KEDACOM

## 1.3MP HD Network Varifocal IR Bullet Camera



### Features

#### Excellent Image Quality

- 1.3 Megapixel 1/3" progressive scan CMOS Sensor
- High definition and smooth picture, 960p@30fps
- H.264 high profile video codec, saves up to 30% bandwidth and storage
- Low illumination, 0.01lux with color picture
- WDR / 3D noise reduction / Automatic Iris

#### Integrated High Efficiency IR

- Industrial IR LED with long operational lifespan
- 30 ~ 50m IR distance
- Smart IR function

#### A Variety of Installation Modes

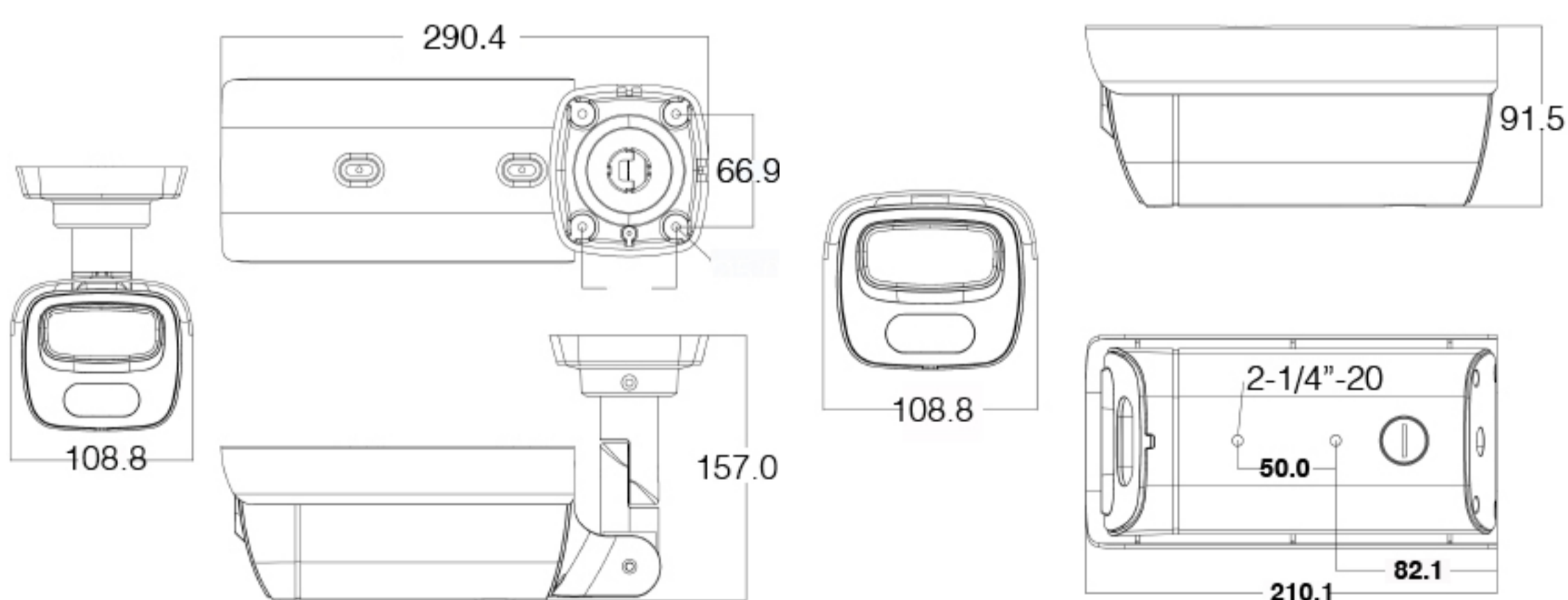
- Supports 90°, 180°, 270° image rotation
- Motorized varifocal lens

#### Abundant Functions and Features

- Supports Automatic Network Replenishment (ANR)
- Dual-stream (960p + D1)
- One click autofocus
- IP66

### Dimensions

Units: mm



### Specifications

Model	IPC2151-AN/BN -DIR2
<b>Camera</b>	
Image Sensor	1/3" progressive scan CMOS
Pixels	1.3 Megapixel
Min. Illumination	Color: 0.01lux @ (F1.4, AGC ON) B/W: 0lux with IR
Shutter Speed	1/10 ~ 1/10,000s
Day / Night	Auto (ICR) / Color / B/W
Wide Dynamic Range	Digital WDR
S/N Ratio	>50dB
White Balance	Auto / Manual
Gain Control	Auto / Manual
Backlight Compensation	Off / BLC / WDR
<b>Lens</b>	
Mount Type	Φ14
Automatic Iris	DC drive
Focal Length	2.8 ~ 12mm @ F1.4 motorized varifocal lens
Focus Control	Manual / Semi-Automatic
Angle of View	89.4°~ 47.7°
<b>Infrared</b>	
IR LED	3 pcs IR LED
IR Distance	30 ~ 50m
IR Intensity	Smart IR
<b>Video</b>	
Compression	H.264 / MJPEG
Image Resolution	Main stream: 960p Secondary stream: D1
Frame Rate	Main stream: 960p@30fps Secondary stream: D1@30fps
Bitrate	64kbps ~ 8Mbps
Bitrate Control	VBR / CBR
Dual-stream	Supported
Caption	Date and time / Alarm / Customized
Privacy Masking	Up to 4 zones
Motion Detection	Up to 4 zones
Video Freeze	Supported
Digital Noise Reduction	3D noise reduction
Image Flip	Flip / Mirror / Rotation at 90°, 180°, 270° supports
<b>Network</b>	
Network Protocols	TCP/IP, UDP, HTTP, DHCP, DNS/DDNS, RTP/RTCP, RTSP, PPPoE, FTP, VSIP, IPv4, IPv6 (optional)
User Interface	IPC Control (IE)
Max. User Access	Max. 10 Users (includes 2 internal)
Application Programming	ONVIF (Profile S), GB/T 28181-2011, API, CGI
Automatic Network Replenishment (ANR)	Supported
<b>Alarm</b>	
Alarm Triggers	Motion detection / Alarm input
Alarm Events	Alarm caption / Snapshot / External output
<b>Interfaces</b>	
Ethernet	10/100M, RJ45 interface
Memory Slot	TF card slot, supports up to 128GB
<b>Environmental</b>	
Operating Temperature	-20°C ~ 60°C / -4°F ~ 140°F
Operating Humidity	10% ~ 95%
Protection Level	IP66
<b>Electrical</b>	
Power	12V DC ± 10%
Power Consumption	Max. 15W
<b>Mechanical</b>	
Weight	-AN: 2.5kg / 5.5lb (Gross Weight) -BN: 2kg / 4.4lb (Gross Weight)
Dimensions	-AN: 290.4 × 108.8 × 157mm / 11.43" × 4.28" × 6.18" -BN: 210.1 × 108.8 × 91.5mm / 8.27" × 4.28" × 3.6"
Mounting Bracket	-AN: Bracket included -BN: Bracket not included