

IPC528-F360-NL5-R150Z

2.0MP HD Varifocal Thermal + Optical Bi-spectrum Laser PTZ Camera



Features

Excellent Image Quality

- 2.0 Megapixel 1/1.8" Progressive Scan CMOS Sensor
- High definition and smooth picture, 1080p@60fps (Optical), 800 x 600@30fps (Thermal)
- H.265 video codec, saves up to 50% bandwidth and storage
- Low illumination, 0.005lux with color picture
- 120dB Ultra WDR
- Laser automatically adjusts
- HLC / 3D noise reduction

Thermal Module

- High sensitivity thermal module, 800 x 600@30fps
- Up to 9 palettes of adjustable color

Long Operation Lifespan

- Industrial components, withstands operation temperatures of -40°C ~ 60°C
- IP66, TVS 6000V lightning protection, surge protection and voltage transient protection
- More than 30,000 hours operational lifespan of the laser illuminator

Large Scale

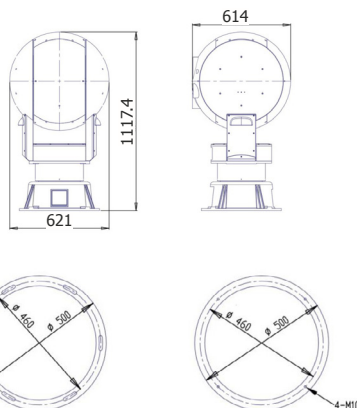
- 60x optical zoom
- Long range night vision up to 5Km

Abundant Functions and Features

- Micro SD card slot, supports Automatic Network Replenishment (ANR)
- Strong PT structure has smooth movements even with a 100kg carry-on load
- Optical defog
- Built-in O-sensor
- AR and AF housing glass
- Aviation connector

Dimensions

Units: mm



Specifications

	IPC528-F360-NL5-R150Z
Thermal Module	
Image Sensor	Vanadium Oxide Uncooled Focal Plane Arrays
Resolution	800 x 600
Lens	15 ~ 150mm, 10x thermal
Pixel Interval	17um
NETD	< 40mk (@25°C, F#=1.0)
Response Waveband	8um ~ 14um
Color mode	up to 9 modes
Optical Camera	
Image Sensor	1/1.8" Progressive Scan CMOS
Pixels	2.0 Megapixel
Min. Illumination	Color: 0.005Lux @ (F3.0, AGC ON) B/W: 0.0005Lux @ (F3.0, AGC ON); 0Lux with Laser
Shutter Speed	1 ~ 1/30,000S
Day / Night	Auto (ICR) / Color / B/W
Wide Dynamic Range	Ultra WDR, >=120dB
S/N Ratio	> 57dB
White Balance	Auto / Manual
Gain Control	Auto / Manual
Backlight Compensation	Off / WDR / BLC / HLC
Lens	
Focal Length	16.7 ~ 1000mm, 60x optical
Zoom Speed	Approx 3 ~ 10s (Optical)
Angle of View	28.43° ~ 0.29° (Wide~Tele)
Min. Object Distance	5000mm (Wide)
Max. Aperture Ratio	F3.5 (Wide) / F16 (Tele)
Focus Control	Auto / Manual / Semi-Automatic
Auto Back Focus	Auto
Optical Defog	Supported
Laser	
Wave Length	808nm
Power Consumption	25W
Laser Distance	5Km
Laser Intensity	Automatically adjust according to zoom ratio
Illuminating Angle	0.3° ~ 30° continuous change
Vision	
Day	10Km
Night	5Km
Pan and Tilt	
Pan / Tilt Range	360° Endless / - 60° ~ 60° (Auto Flip)
Pan / Tilt Speed	Pan manual speed: 0.01° ~ 180°/s; Pan preset speed: 180°/s Tilt manual speed: 0.01° ~ 90°/s; Tilt preset speed: 90°/s
Proportional Zoom	Pan / Tilt speed can be adjusted automatically according to zoom multiples
Preset	256
Patrol	8 Patrols scheme, up to 32 presets per patrol
Power-off Memory	Power-off memory / Power-on recovery
Auto Guard	Path / Preset / Pan scan
PT Limit	Manual / Scan / Pan
3D Positioning	PTZ control with mouse click and drag
Electronic compass	Built-in O-sensor
Location Sensor	GPS
Shield	
Housing Glass	AR & AF glass
Video	
Compression Format	H.265 / H.264 / MJPEG
Image Resolution	Main stream: 1080p Secondary stream: D1
Frame Rate	Main stream: 1080p@60fps Secondary stream: D1@30fps
Bitrate	32kbps ~ 16Mbps
Bitrate Control	VBR / CBR
Multi-stream	Supported
Caption	Date and time / Alarm / Direction / Customized
Privacy Masking	Up to 4 zones
Motion Detection	Up to 4 zones
Video Freeze	Supported
ROI	Supported
Digital Noise Reduction	3D noise reduction
Digital Defog	Supported
Image Flip	Mirror
Audio	
Compression	G.711a / G.711u / ADPCM / G.722 / G.722.1c / G.726
Bitrate	32kbps ~ 64kbps
Audio Function	Bi-directional audio / AEC / Mixed audio recording / Dumb / Mute
Network	
Network Protocols	TCP/IP, UDP, HTTP, DHCP, DNS/DDNS, RTP/RTCP, RTSP, PPPoE, FTP, VSIP, UPnP, 802.1x, NAT, QoS, SMTP, IPv4, IPv6 (optional)
User Interface	IPC Control (IE, Firefox, Chrome)
Max. User Access	Max. 10 Users (include 2 internal)
Application Programming	ONVIF (Profile S, Profile G), GB/T 28181-2011, API, CGI
Automatic Network Replenishment (ANR)	Supported
Alarm	
Alarm Triggers	Network disconnect / Disk full / Disk error
Intelligent	Motion detection / Tampering / Guard line / Enter guard area / Exit guard area / Object left / Object removal / Gathering / Audio surge
Alarm Events	Alarm report / Recording / Text overlay / Snapshot / External output / Email notice / Acoustic alarm
Interfaces	
Ethernet	10/100M, RJ45 interface
Audio In / Out	1 x Line in / 1 x Line out
Alarm	4 x Input / 2 x Output
Memory Slot	Micro SD card slot, supports up to 256GB
Environmental	
Operating Temperature	-40°C ~ 60°C / -40°F ~ 140°F
Operating Humidity	10% ~ 95%
Protection Level	IP66, TVS 6000V lightning protection, surge protection and voltage transient protection
Electrical	
Power	48V DC ± 25% (Power adapter included)
Power Consumption	Max. 180W (Laser on)
Mechanical	
Weight	150kg / 330.69lb (Gross Weight)
Dimensions	614 x 621 x 1117.4mm / 24.17" x 24.45" x 43.99"